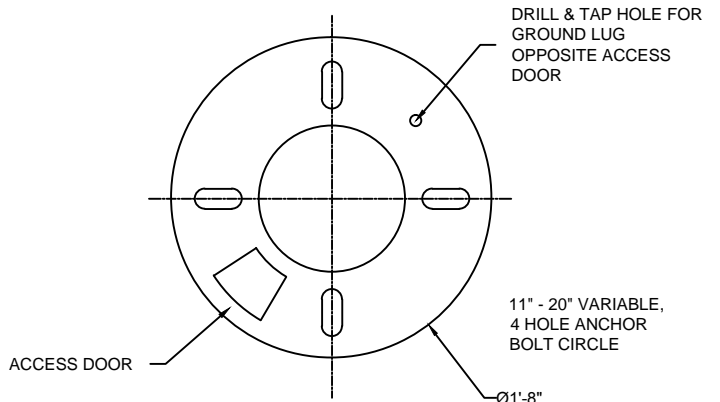


GLOSS BLACK POLYURETHANE PAINT STANDARD. OTHER COLORS & POWDERCOATING AVAILABLE.

SIDE VIEW
SCALE: 1/2" = 1'-0" 1



BOLT CIRCLE
SCALE: 1" = 1'-0" 2

NOTES

- 1. WIND SPEED 120 MPH
- 2. WIND LOADING 2.54
- 3. POLE WEIGHT 155 LBS.
- 4. WALL THICKNESS 0.125"

A	CREATED	JAH	05/18/17
B			
C			
REV:	DESCRIPTION:	BY:	DATE:

AMENDMENTS:

TITLE: ALUMINUM-SMOOTH-TAPERED	SCALE AT A4. 1/2"=1'-0"	DRAWN. JAH	CHECKED. XXX	REVISION. A
	PART NO. AA-2412	PROJECT NO. XX	DATE. 05/18/17	

 MAIN STREET LIGHTING	1080 INDUSTRIAL PKWY. MEDINA, OH 44256 www.mainstreetlighting.com/