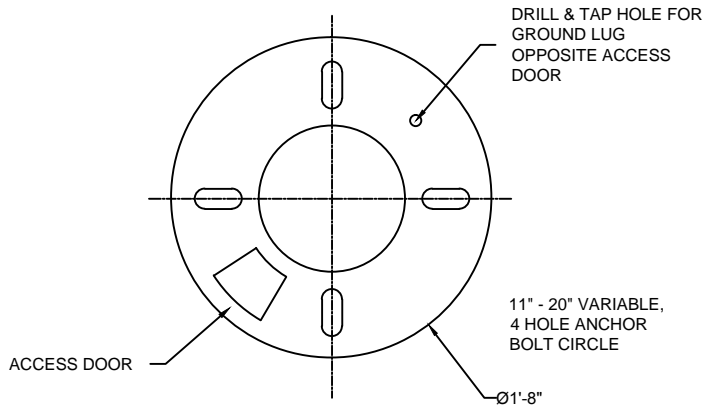


GLOSS BLACK POLYURETHANE PAINT STANDARD. OTHER COLORS & POWDERCOATING AVAILABLE.

**SIDE VIEW**  
SCALE: 1/2" = 1'-0" 1



**BOLT CIRCLE**  
SCALE: 1" = 1'-0" 2

**NOTES**

- 1. WIND SPEED 120 MPH
- 2. WIND LOADING 2.54
- 3. POLE WEIGHT 155 LBS.
- 4. WALL THICKNESS 0.125"

A	CREATED	JAH	05/18/17
B			
C			
REV:	DESCRIPTION:	BY:	DATE:

**AMENDMENTS:**

TITLE:	ALUMINUM-SMOOTH-TAPERED	SCALE AT A4:	1/2"=1'-0"	DRAWN:	JAH	CHECKED:	XXX	REVISION:	A
SITE:	WINDSOR-24	PART NO.:	AA-2413	PROJECT NO.:	XX	DATE:	05/18/17		



**MAIN STREET LIGHTING**

1080 INDUSTRIAL PKWY.  
MEDINA, OH 44256  
www.mainstreetlighting.com/