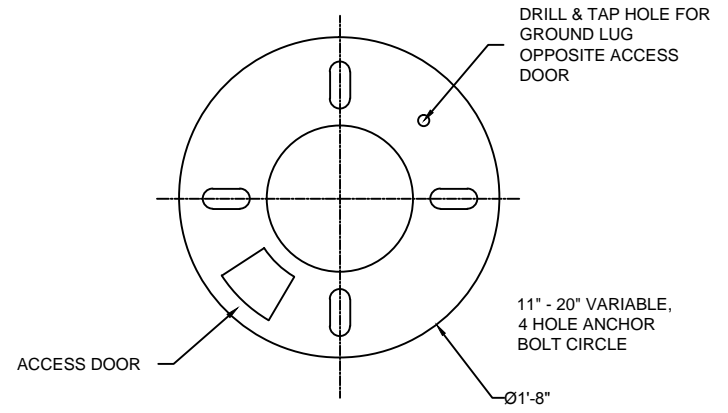


GLOSS BLACK POLYURETHANE PAINT STANDARD. OTHER COLORS & POWDERCOATING AVAILABLE.

SIDE VIEW
SCALE: 1/2" = 1'-0" 1



BOLT CIRCLE
SCALE: 1" = 1'-0" 2

NOTES

- 1. WIND SPEED 120 MPH
- 2. WIND LOADING 2.54
- 3. POLE WEIGHT 155 LBS.
- 4. WALL THICKNESS 0.125"

A	CREATED	JAH	05/18/17
B			
C			
REV:	DESCRIPTION:	BY:	DATE:

AMENDMENTS:

TITLE:	ALUMINUM-SMOOTH-TAPERED	SCALE AT A4:	1/2"=1'-0"	DRAWN:	JAH	CHECKED:	XXX	REVISION:	A
SITE:	WINDSOR-24	PART NO.:	AA-2414	PROJECT NO.:	XX	DATE:	05/18/17		



MAIN STREET LIGHTING

1080 INDUSTRIAL PKWY.
MEDINA, OH 44256
www.mainstreetlighting.com/