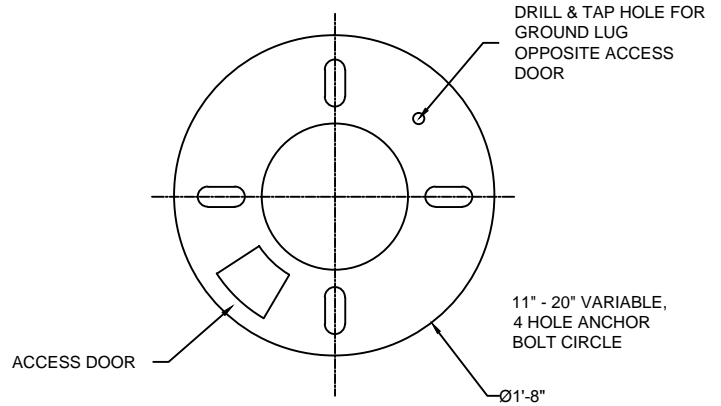


**SIDE VIEW**  
SCALE: 1/2" = 1'-0" 1



**BOLT CIRCLE**  
SCALE: 1" = 1'-0" 2

**NOTES**

- 1. WIND SPEED 120 MPH
- 2. WIND LOADING 2.54
- 3. POLE WEIGHT 155 LBS.
- 4. WALL THICKNESS 0.125"

A	CREATED	JAH	05/18/17
B			
C			
REV:	DESCRIPTION:	BY:	DATE:

**AMENDMENTS:**

TITLE:	ALUMINUM-SMOOTH-TAPERED	SCALE AT A4. 1/2"=1'-0"	DRAWN. JAH	CHECKED. XXX	REVISION. A
--------	-------------------------	----------------------------	---------------	-----------------	----------------

SITE:	WINDSOR-24	PART NO. AA-2415	PROJECT NO. XX	DATE. 05/18/17
-------	------------	---------------------	-------------------	-------------------



**MAIN STREET LIGHTING**

1080 INDUSTRIAL PKWY.  
MEDINA, OH 44256  
www.mainstreetlighting.com/