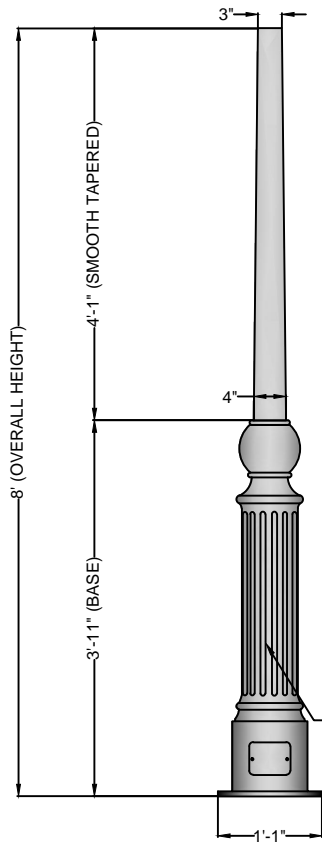


11" DIAMETER, 3-HOLE  
ANCHOR BOLT CIRCLE  
STANDARD. GALVANIZED  
ANCHOR BOLTS AND  
TEMPLATE SUPPLIED.

**BOLT CIRCLE** 2  
SCALE: 1" = 1'-0"



GLOSS BLACK  
POLYURETHANE  
PAINT STANDARD.  
OTHER COLORS &  
POWDERCOATING  
AVAILABLE.

**SIDE VIEW** 1  
SCALE: 1/2" = 1'-0"

NOTES

- |                   |         |
|-------------------|---------|
| 1. WIND SPEED     | 120 MPH |
| 2. WIND LOADING   | 18.41   |
| 3. POLE WEIGHT    | 38 LBS. |
| 4. WALL THICKNESS | 0.125"  |

A	CREATED	JAH	05/18/17
B			
C			
REV:	DESCRIPTION:	BY:	DATE:

AMENDMENTS:

TITLE:	ALUMINUM-SMOOTH-TAPERED	SCALE AT A4. 1/2"=1'-0"	DRAWN. JAH	CHECKED. XXX	REVISION. A
--------	-------------------------	----------------------------	---------------	-----------------	----------------

SITE:	ALEXANDRIA	PART NO. AA-708	PROJECT NO. XX	DATE. 05/18/17
-------	------------	--------------------	-------------------	-------------------



MAIN STREET LIGHTING

1080 INDUSTRIAL PKWY.  
MEDINA, OH 44256  
www.mainstreetlighting.com/