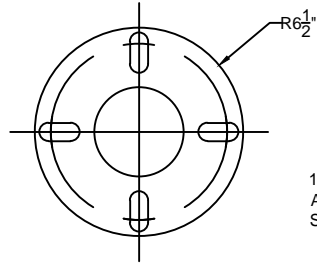
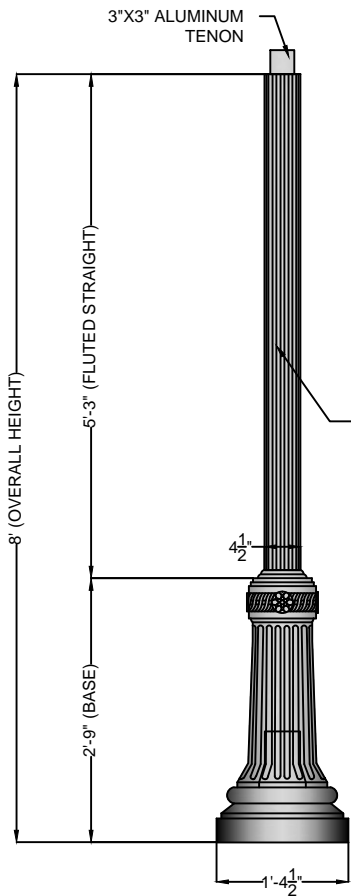


11"- 13" DIA., 3 HOLE
ANCHOR BOLT CIRCLE
STANDARD



11"- 13" DIA., 3 HOLE
ANCHOR BOLT CIRCLE
STANDARD

BOLT CIRCLE 2
SCALE: 1" = 1'-0"



GLOSS BLACK
POLYURETHANE
PAINT STANDARD.
OTHER COLORS &
POWDERCOATING
AVAILABLE.

SIDE VIEW 1
SCALE: 1/2" = 1'-0"

NOTES

1. WIND SPEED 120 MPH
2. WIND LOADING 17.21
3. POLE WEIGHT 125 LBS.
4. WALL THICKNESS 0.125"
5. 4" AND 5" POLES AVAILABLE

A	CREATED	JAH	05/18/17
B			
C			
REV:	DESCRIPTION:	BY:	DATE:

AMENDMENTS:

TITLE:	ALUMINUM-FLUTED-STRAIGHT	SCALE AT A4:	1/2"=1'-0"	DRAWN:	JAH	CHECKED:	XXX	REVISION:	A
--------	--------------------------	--------------	------------	--------	-----	----------	-----	-----------	---

SITE:	HARRISBURG	PART NO.:	AAF-1408	PROJECT NO.:	XX	DATE:	05/18/17
-------	------------	-----------	----------	--------------	----	-------	----------



MAIN STREET LIGHTING

1080 INDUSTRIAL PKWY.
MEDINA, OH 44256
www.mainstreetlighting.com/