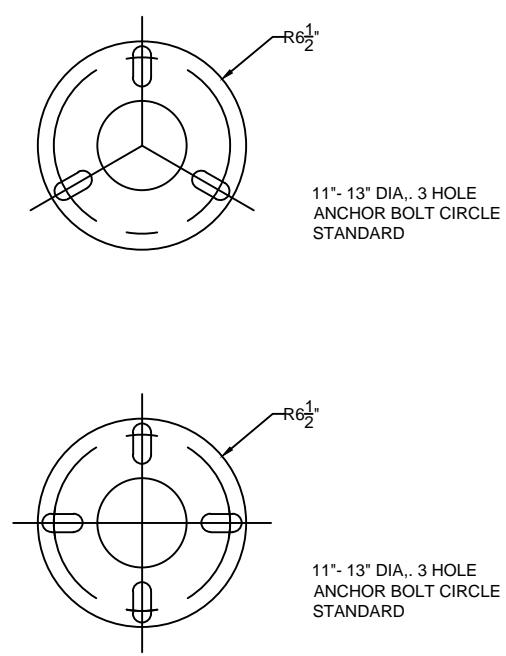


GLOSS BLACK POLYURETHANE PAINT STANDARD. OTHER COLORS & POWDERCOATING AVAILABLE.



BOLT CIRCLE 2
SCALE: 1" = 1'-0"

NOTES

1. WIND SPEED 120 MPH
2. WIND LOADING 6.49
3. POLE WEIGHT 175 LBS.
4. WALL THICKNESS 0.125"
5. 4" AND 5" POLES AVAILABLE

SIDE VIEW 1
SCALE: 1/2" = 1'-0"

| | | | |
|------|--------------|-----|----------|
| A | CREATED | JAH | 05/18/17 |
| B | | | |
| C | | | |
| REV: | DESCRIPTION: | BY: | DATE: |

AMENDMENTS:

| | | | | |
|---|----------------------------|----------------------|-------------------|-------------------|
| TITLE: ALUMINUM-FLUTED-STRAIGHT | SCALE AT A4. 1/2"=1'-0" | DRAWN. JAH | CHECKED. XXX | REVISION. A |
| | SITE: HARRISBURG | PART NO. AAF-1415 | PROJECT NO. XX | DATE. 05/18/17 |



MAIN STREET LIGHTING

1080 INDUSTRIAL PKWY.
 MEDINA, OH 44256
 www.mainstreetlighting.com/