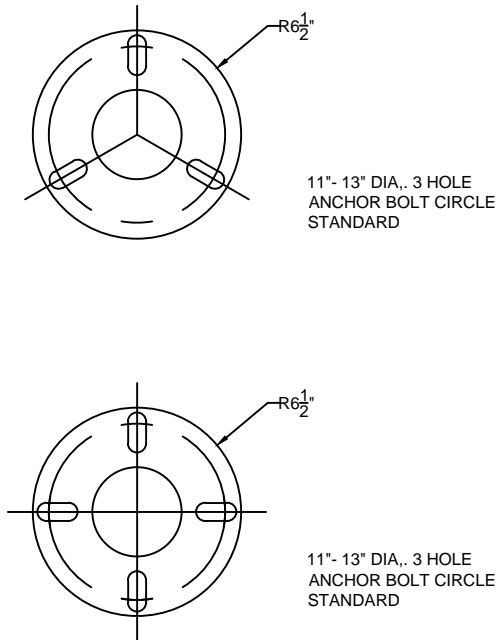


GLOSS BLACK POLYURETHANE PAINT STANDARD. OTHER COLORS & POWDERCOATING AVAILABLE.

SIDE VIEW 1
 SCALE: 3/8" = 1'-0"



BOLT CIRCLE 2
 SCALE: 1" = 1'-0"

NOTES

1. WIND SPEED 120 MPH
2. WIND LOADING 5.65
3. POLE WEIGHT 182 LBS.
4. WALL THICKNESS 0.125"
5. 4" AND 5" POLES AVAILABLE

A	CREATED	JAH	05/18/17
B			
C			
REV:	DESCRIPTION:	BY:	DATE:

AMENDMENTS:

TITLE:	ALUMINUM-FLUTED-STRAIGHT	SCALE AT A4:	3/8"=1'-0"	DRAWN:	JAH	CHECKED:	XXX	REVISION:	A
--------	--------------------------	--------------	------------	--------	-----	----------	-----	-----------	---

SITE:	HARRISBURG	PART NO.:	AAF-1416	PROJECT NO.:	XX	DATE:	05/18/17
-------	------------	-----------	----------	--------------	----	-------	----------



MAIN STREET LIGHTING

1080 INDUSTRIAL PKWY.
 MEDINA, OH 44256
www.mainstreetlighting.com/