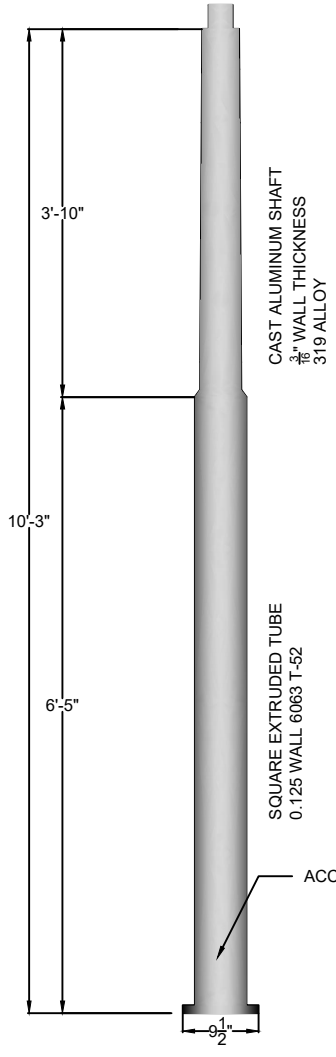


BOLT PATTERN

2

NTS

FLANGED 3/4" THICK 6061-T651
ALUMINUM FLANGED VIEW



SIDE VIEW

1

A	CREATED	JAH	05/18/17
B			
C			
REV:	DESCRIPTION:	BY:	DATE:

AMENDMENTS:

TITLE: ALUMINUM-SMOOTH-TAPERED	SCALE AT A4. 1/2"=1'-0"	DRAWN. JAH	CHECKED. XXX	REVISION. A
	PART NO. AA-900	PROJECT NO. XX	DATE. 05/18/17	

 <p>MAIN STREET LIGHTING</p>	<p>1080 INDUSTRIAL PKWY. MEDINA, OH 44256 www.mainstreetlighting.com/</p>