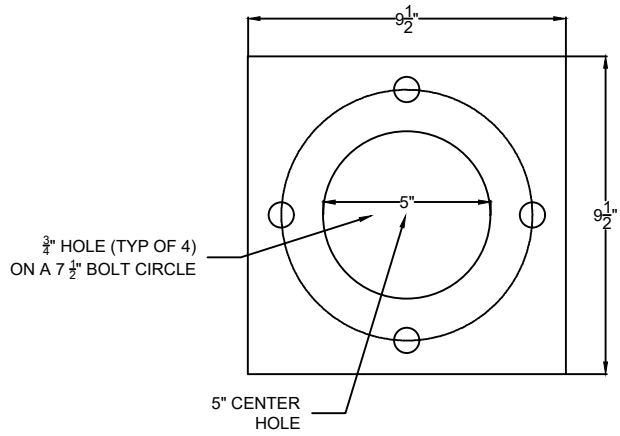


**SIDE VIEW**

1



**BOLT PATTERN**

2  
 NTS

FLANGED  $\frac{3}{4}$ " THICK 6061-T651  
 ALUMINUM FLANGED VIEW

A	CREATED	JAH	05/18/17
B			
C			
REV:	DESCRIPTION:	BY:	DATE:

**AMENDMENTS:**

TITLE:	ALUMINUM-SMOOTH-TAPERED	SCALE AT A4. 1/2"=1'-0"	DRAWN. JAH	CHECKED. XXX	REVISION. A
--------	-------------------------	----------------------------	---------------	-----------------	----------------

SITE:	NEW-ALBANY	PART NO. AA-912	PROJECT NO. XX	DATE. 05/18/17
-------	------------	--------------------	-------------------	-------------------



**MAIN STREET LIGHTING**

1080 INDUSTRIAL PKWY.  
 MEDINA, OH 44256  
[www.mainstreetlighting.com/](http://www.mainstreetlighting.com/)