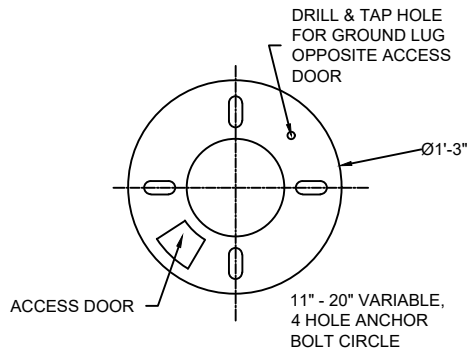


GLOSS BLACK
POLYURETHANE
PAINT STANDARD.
OTHER COLORS
AVAILABLE.

SIDE VIEW
SCALE: 1/2" = 1'-0"

1



BOLT CIRCLE
SCALE: 1" = 1'-0"

2

NOTES

- 1. WIND SPEED 120 MPH
- 2. WIND LOADING 3.06
- 3. POLE WEIGHT 81 LBS.

A	CREATED	JAH	05/18/17
B			
C			
REV:	DESCRIPTION:	BY:	DATE:

AMENDMENTS:

TITLE:	FIBERGLASS-FLUTED-TAPERED	SCALE AT A4.	DRAWN.	CHECKED.	REVISION.
		1/2"=1'-0"	JAH	XXX	A

STYLE:	WINDSOR-24	PART NO.	PROJECT NO.	DATE.
		AF2403	XX	05/18/17



MAIN STREET LIGHTING

1080 INDUSTRIAL PKWY.
MEDINA, OH 44256
www.mainstreetlighting.com/