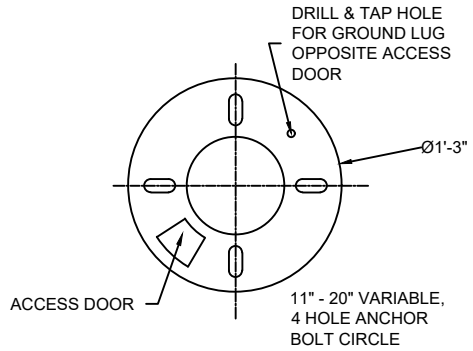


GLOSS BLACK
POLYURETHANE
PAINT STANDARD.
OTHER COLORS
AVAILABLE.

SIDE VIEW
SCALE: 1/2" = 1'-0"



BOLT CIRCLE
SCALE: 1" = 1'-0"

NOTES

1. WIND SPEED 120 MPH
2. WIND LOADING 2.75
3. POLE WEIGHT 85 LBS.

A	CREATED	JAH	05/18/17
B			
C			
REV:	DESCRIPTION:	BY:	DATE:

AMENDMENTS:

TITLE:	FIBERGLASS-FLUTED-TAPERED	SCALE AT A4:	1/2"=1'-0"	DRAWN:	JAH	CHECKED:	XXX	REVISION:	A
--------	---------------------------	--------------	------------	--------	-----	----------	-----	-----------	---

STYLE:	WINDSOR-24	PART NO.:	AF2404	PROJECT NO.:	XX	DATE:	05/18/17
--------	------------	-----------	--------	--------------	----	-------	----------



MAIN STREET LIGHTING

1080 INDUSTRIAL PKWY.
MEDINA, OH 44256
www.mainstreetlighting.com/