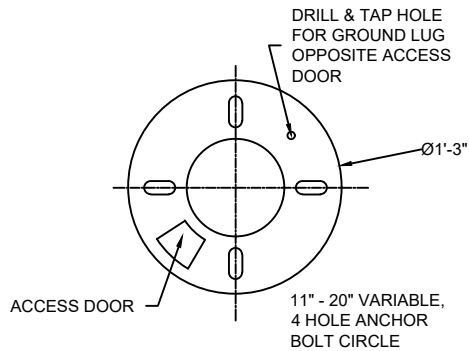


GLOSS BLACK  
POLYURETHANE  
PAINT STANDARD.  
OTHER COLORS  
AVAILABLE.

**SIDE VIEW**  
SCALE: 1/2" = 1'-0"



**BOLT CIRCLE**  
SCALE: 1" = 1'-0"

**NOTES**

1. WIND SPEED 120 MPH
2. WIND LOADING 2.48
3. POLE WEIGHT 89 LBS.

A	CREATED	JAH	05/18/17
B			
C			
REV:	DESCRIPTION:	BY:	DATE:

**AMENDMENTS:**

TITLE: FIBERGLASS-FLUTED-TAPERED	SCALE AT A4. 1/2"=1'-0"	DRAWN. JAH	CHECKED. XXX	REVISION. A
	STYLE: WINDSOR-24	PART NO. AF2405	PROJECT NO. XX	DATE. 05/18/17



**MAIN STREET LIGHTING**

1080 INDUSTRIAL PKWY.  
MEDINA, OH 44256  
www.mainstreetlighting.com/