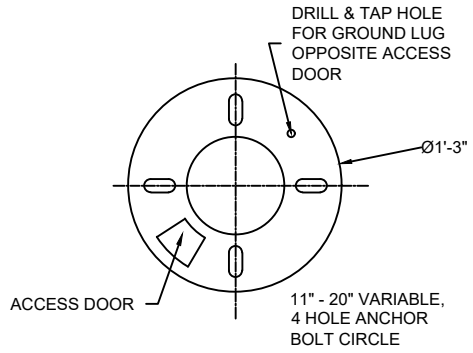


GLOSS BLACK  
POLYURETHANE  
PAINT STANDARD.  
OTHER COLORS  
AVAILABLE.



**BOLT CIRCLE**  
**SCALE: 1" = 1'-0"** 2

**NOTES**

1. WIND SPEED 120 MPH
2. WIND LOADING 2.23
3. POLE WEIGHT 93 LBS.

**SIDE VIEW**  
**SCALE: 1/2" = 1'-0"** 1

A	CREATED	JAH	05/18/17
B			
C			
REV:	DESCRIPTION:	BY:	DATE:

**AMENDMENTS:**

TITLE: FIBERGLASS-FLUTED-TAPERED	SCALE AT A4. 1/2"=1'-0"	DRAWN. JAH	CHECKED. XXX	REVISION. A
-------------------------------------	----------------------------	---------------	-----------------	----------------

STYLE: WINDSOR-24	PART NO. AF2406	PROJECT NO. XX	DATE. 05/18/17
----------------------	--------------------	-------------------	-------------------



**MAIN STREET LIGHTING**

1080 INDUSTRIAL PKWY.  
MEDINA, OH 44256  
www.mainstreetlighting.com/