

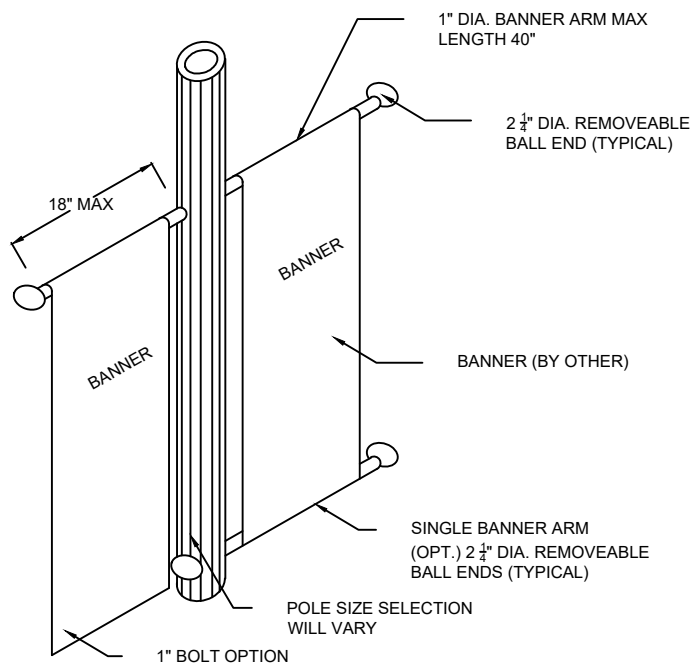
SIDE VIEW
SCALE: N.T.S

A	CREATED	JAH	05/18/17
B			
C			
REV:	DESCRIPTION:	BY:	DATE:
AMENDMENTS:			

TITLE: BA-20	SCALE AT A4.	DRAWN.	CHECKED.	REVISION.
	N.T.S	JAH	XXX	A
STYLE: ACCESSORIES	PART NO.	PROJECT NO.	DATE.	
	BA-20	XX	08/03/17	



1080 INDUSTRIAL PKWY.
MEDINA, OH 44256
www.mainstreetlighting.com/



SIDE VIEW
SCALE: N.T.S

1

A	CREATED	JAH	05/18/17
B			
C			
REV:	DESCRIPTION:	BY:	DATE:
AMENDMENTS:			

TITLE: BA-10	SCALE AT A4. N.T.S	DRAWN. JAH	CHECKED. XXX	REVISION. A
-----------------	-----------------------	---------------	-----------------	----------------

STLYE: ACCESSORIES	PART NO. BA-10	PROJECT NO. XX	DATE. 08/03/17
-----------------------	-------------------	-------------------	-------------------



MAIN STREET LIGHTING

1080 INDUSTRIAL PKWY.
MEDINA, OH 44256
www.mainstreetlighting.com/