

NOTES:
 1.) INSTALLED (SINGLE)
 (SNAP-IN) 15 AMP

SIDE VIEW
 SCALE: N.T.S

1

A	CREATED	JAH	05/18/17
B			
C			
REV:	DESCRIPTION:	BY:	DATE:

AMENDMENTS:

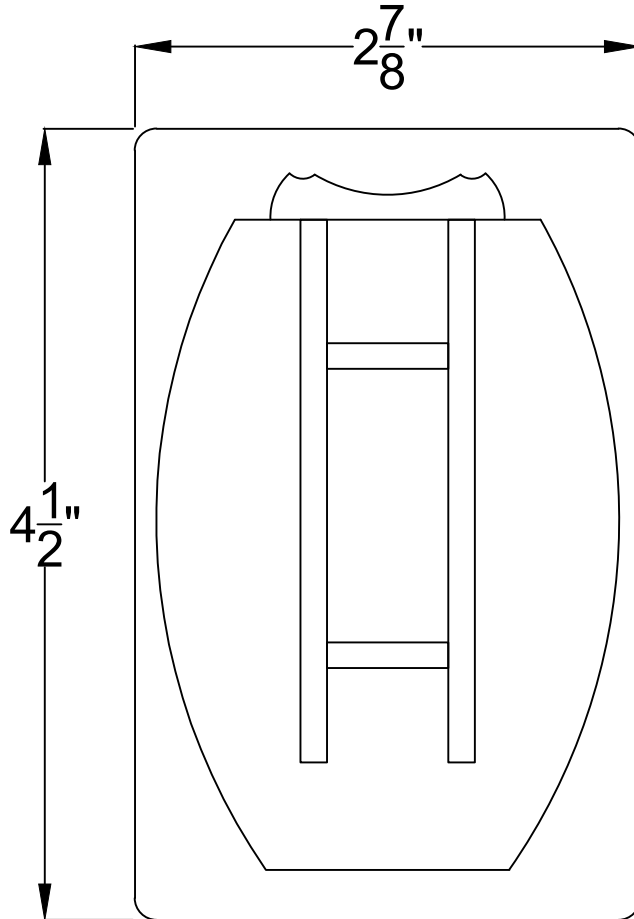
TITLE:	CO-10	SCALE AT A4.	N.T.S	DRAWN.	JAH	CHECKED.	XXX	REVISION.	A
--------	-------	--------------	-------	--------	-----	----------	-----	-----------	---

STYLE:	ACCESSORIES	PART NO.	CO-10	PROJECT NO.	XX	DATE.	08/03/17
--------	-------------	----------	-------	-------------	----	-------	----------



MAIN STREET LIGHTING

1080 INDUSTRIAL PKWY.
 MEDINA, OH 44256
www.mainstreetlighting.com/




NOTES:

1. INSTALLED (DUPLEX) 15 AMP
2. STANDARD LOCATION 12" FROM TOP OF POLE
3. GFI (GROUND FAULT) AVAILABLE UPON REQUEST.
4. WWIU COVER (WET WHILE IN USE) - AVAILABLE UPON REQUEST (ADDITIONAL CHARGE).

SIDE VIEW
SCALE: N.T.S

1

A	CREATED	JAH	05/18/17
B			
C			
REV:	DESCRIPTION:	BY:	DATE:
AMENDMENTS:			

TITLE: CO-20		SCALE AT A4. N.T.S	DRAWN. JAH	CHECKED. XXX	REVISION. A
STLYE: ACCESSORIES		PART NO. CO-20	PROJECT NO. XX	DATE. 08/03/17	
 MAIN STREET LIGHTING		1080 INDUSTRIAL PKWY. MEDINA, OH 44256 www.mainstreetlighting.com/			