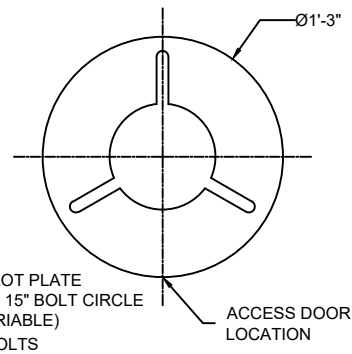


GLOSS BLACK  
POLYURETHANE  
PAINT STANDARD.  
OTHER COLORS  
AVAILABLE.

**SIDE VIEW**  
SCALE: 1/2" = 1'-0"



3 SLOT PLATE  
11" - 15" BOLT CIRCLE  
(VARIABLE)  
3/8" BOLTS

ACCESS DOOR  
LOCATION

**BOLT CIRCLE**  
SCALE: 1" = 1'-0"

**NOTES**

1. WIND SPEED 120 MPH
2. WIND LOADING 6.13
3. POLE WEIGHT 146 LBS.

A	CREATED	JAH	05/18/17
B			
C			
REV:	DESCRIPTION:	BY:	DATE:

**AMENDMENTS:**

TITLE: <b>FIBERGLASS-FLUTED-TAPERED</b>	SCALE AT A4. 1/2"=1'-0"	DRAWN. JAH	CHECKED. XXX	REVISION. A
	STLYE: <b>BUCKINGHAM</b>	PART NO. FF-902	PROJECT NO. XX	DATE. 05/18/17



**MAIN STREET LIGHTING**

1080 INDUSTRIAL PKWY.  
MEDINA, OH 44256  
www.mainstreetlighting.com/