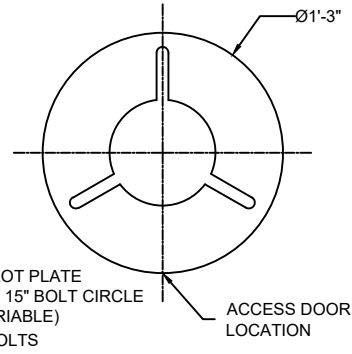


GLOSS BLACK  
POLYURETHANE  
PAINT STANDARD.  
OTHER COLORS  
AVAILABLE.

**SIDE VIEW**  
SCALE: 1/2" = 1'-0"



3 SLOT PLATE  
11" - 15" BOLT CIRCLE  
(VARIABLE)  
3/8" BOLTS

ACCESS DOOR  
LOCATION

**BOLT CIRCLE**  
SCALE: 1" = 1'-0"

2

**NOTES**

- |                 |          |
|-----------------|----------|
| 1. WIND SPEED   | 120 MPH  |
| 2. WIND LOADING | 4.96     |
| 3. POLE WEIGHT  | 163 LBS. |

|      |              |     |          |
|------|--------------|-----|----------|
| A    | CREATED      | JAH | 05/18/17 |
| B    |              |     |          |
| C    |              |     |          |
| REV: | DESCRIPTION: | BY: | DATE:    |

**AMENDMENTS:**

|        |                           |              |            |        |     |          |     |           |   |
|--------|---------------------------|--------------|------------|--------|-----|----------|-----|-----------|---|
| TITLE: | FIBERGLASS-FLUTED-TAPERED | SCALE AT A4. | 1/2"=1'-0" | DRAWN. | JAH | CHECKED. | XXX | REVISION. | A |
|--------|---------------------------|--------------|------------|--------|-----|----------|-----|-----------|---|

|        |            |          |        |             |    |       |          |
|--------|------------|----------|--------|-------------|----|-------|----------|
| STYLE: | BUCKINGHAM | PART NO. | FF-904 | PROJECT NO. | XX | DATE. | 05/18/17 |
|--------|------------|----------|--------|-------------|----|-------|----------|



**MAIN STREET LIGHTING**

1080 INDUSTRIAL PKWY.  
MEDINA, OH 44256  
www.mainstreetlighting.com/