

NOTES
1. ATTACH TO BALLAST KIT

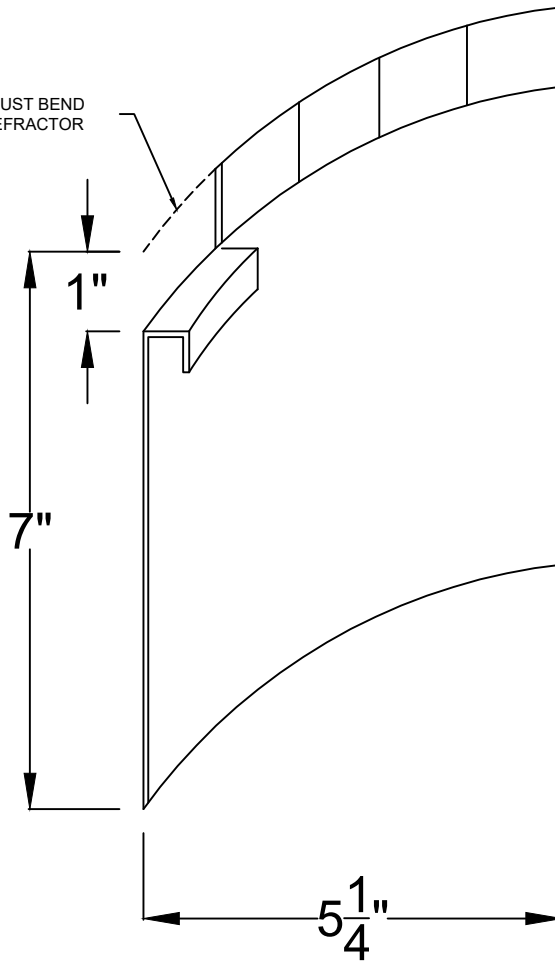
SIDE VIEW
SCALE: N.T.S

1

A	CREATED	JAH	05/18/17
B			
C			
REV:	DESCRIPTION:	BY:	DATE:
AMENDMENTS:			

TITLE: HSS-1	SCALE AT A4.	DRAWN.	CHECKED.	REVISION.
	N.T.S	JAH	XXX	A
STYLE: ACCESSORIES	PART NO.	PROJECT NO.	DATE.	
	HSS-1	XX	08/03/17	

CUSTOMER MUST BEND
TABS OVER REFRACTOR



SIDE VIEW
SCALE: N.T.S

1

A	CREATED	JAH	05/18/17
B			
C			
REV:	DESCRIPTION:	BY:	DATE:
AMENDMENTS:			

TITLE: HSS-2	SCALE AT A4.	DRAWN.	CHECKED.	REVISION.
	N.T.S	JAH	XXX	A

STYLE: ACCESSORIES	PART NO.	PROJECT NO.	DATE.
	HSS-2	XX	08/03/17



MAIN STREET LIGHTING

1080 INDUSTRIAL PKWY.
MEDINA, OH 44256
www.mainstreetlighting.com/