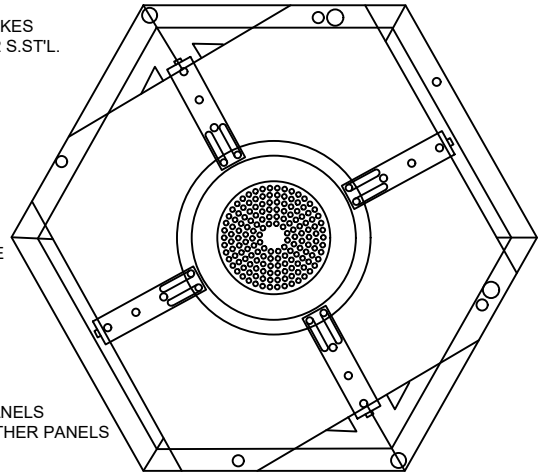


SIDE VIEW
SCALE: 1 1/2" = 1'-0" 1



TOP VIEW
SCALE: N.T.S. 2

NOTES

1. CAST ALUMINUM SOLID OCTAGON ROOF IS HINGED FOR EASY ACCESS. SECURES WITH 1 8-32 S.ST'L SCREW.
2. EPA: 1.45 (EFFECTED PROJECT AREA)
3. LANTERN WILL BE PREWIRED AND TESTED
4. ALL ELECTRICAL COMPONENTS ARE U.L. LISTED
5. ALL MOUNTING HARDWARE SUPPLIED.
6. 120 VOLT PHOTO CONTROL MAY BE INSTALLED IN CAGE BOTTOM.

A	CREATED	JAH	05/18/17
B			
C			
REV:	DESCRIPTION:	BY:	DATE:

AMENDMENTS:

TITLE: L400-SMALL	SCALE: 1.5"=1'-0"	DRAWN: JAH	CHECKED: XXX	REVISION: A
	SERIES: L400-SERIES	PART NO. L400-SMALL	PROJECT NO. XXX	DATE: 05/18/17



MAIN STREET LIGHTING

1080 INDUSTRIAL PKWY.
MEDINA, OH 44256
www.mainstreetlighting.com/