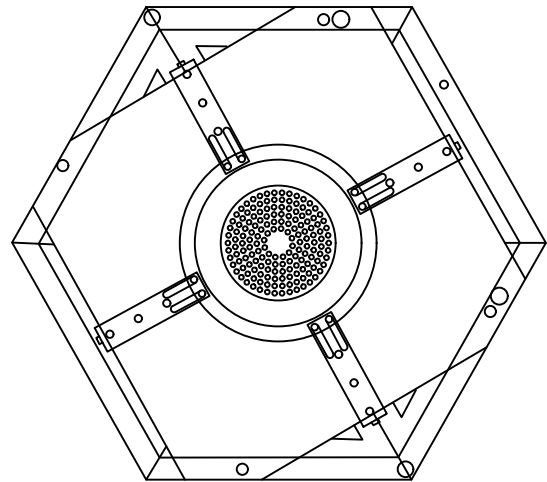


SIDE VIEW
SCALE: 1 1/2" = 1'-0" 1



TOP VIEW
SCALE: N.T.S 2

NOTES

1. ALL METAL EXTERIOR PARTS ARE CAST 319 ALLOY ALUMINUM. ALL HARDWARE IS STAINLESS STEEL.

A	CREATED	JAH	05/18/17
B			
C			
REV:	DESCRIPTION:	BY:	DATE:

AMENDMENTS:

TITLE: L400LS	SCALE: 1.5"=1'-0"	DRAWN: JAH	CHECKED: XXX	REVISION: A
	SERIES: L400-SERIES	PART NO.: L400LS	PROJECT NO.: XXX	DATE: 05/18/17



MAIN STREET LIGHTING

1080 INDUSTRIAL PKWY.
 MEDINA, OH 44256
www.mainstreetlighting.com/