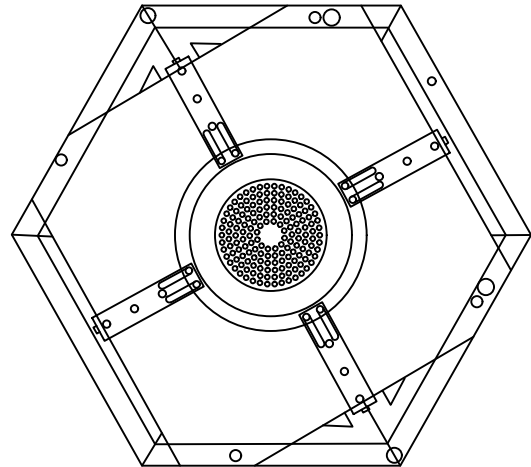


SIDE VIEW
SCALE: 1 1/2" = 1'-0"



TOP VIEW
SCALE: N.T.S

NOTES

1. CAST ALUMINUM CONSTRUCTION
2. POST TOP FITTER WILL ACCEPT 3" DIAMETER TENON
3. STAINLESS STEEL EXTERIOR HARDWARE
4. STANDARD PANELS PP-PRISMATIC POLYCARBONATE AVAILABLE IN CA-CLEAR ACRYLIC, CP-CLEAR POLYCARBONATE, OA-OPAL ACRYLIC, OP-OPAL POLYCARBONATE
5. SPECIFY VOLTAGE: 120, 480 OR MT (MULTI-TAP 120, 208, 240, 277)
6. CORE & COIL BALLAST SUPPLIED UNLESS PL IS MARKED FOR POST LINE
7. LAMPS NOT INCLUDED
8. BALLAST:
 - 8.1. I INCANDESCENT (UP TO 300 WATT)
 - 8.2. H METAL HALIDE
 - 8.3. S HIGH PRESSURE SODIUM
 - 8.4. M MERCURY VAPOR
9. REFRACTORS, PHOTOCELLS, & CHIMNEYS NOT INCLUDED. AVAILABLE IN ACCESSORIES SECTION.
10. EPA = 1.30 & WEIGHT = 26LBS.
11. LANTERN IS PRE-WIRED AND TESTED. ALL ELECTRICAL COMPONENTS ARE U.L. LISTED.

A	CREATED	JAH	05/18/17
B			
C			
REV:	DESCRIPTION:	BY:	DATE:
AMENDMENTS:			

TITLE: L511BP	SCALE: 1.5"=1'-0"	DRAWN: JAH	CHECKED: XXX	REVISION: A
-------------------------	----------------------	---------------	-----------------	----------------

SERIES: L500-SERIES	PART NO. L511BP	PROJECT NO. XXX	DATE: 05/18/17
-------------------------------	--------------------	--------------------	-------------------



MAIN STREET LIGHTING

1080 INDUSTRIAL PKWY.
MEDINA, OH 44256
www.mainstreetlighting.com/