

- NOTES
1. CAST ALUMINUM CONSTRUCTION
  2. 3" DIA. LANTERN TENON

SIDE VIEW  
SCALE: N.T.S

1

A	CREATED	JAH	05/18/17
B			
C			
REV:	DESCRIPTION:	BY:	DATE:
AMENDMENTS:			

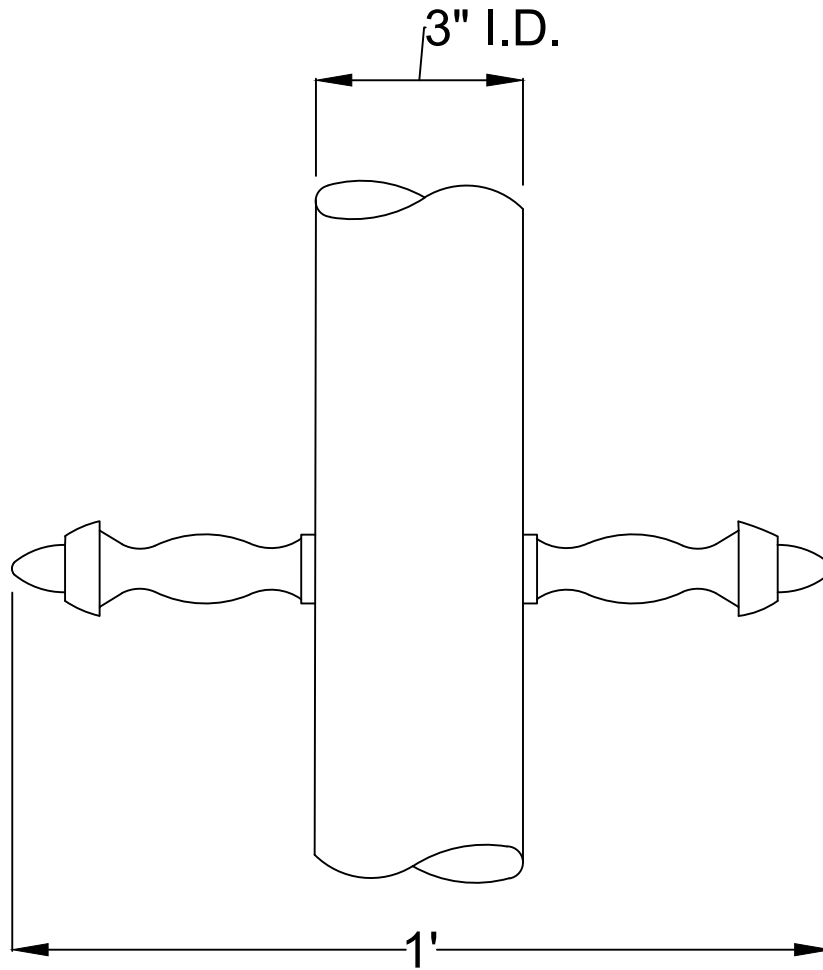
TITLE: LR10	SCALE AT A4. N.T.S	DRAWN. JAH	CHECKED. XXX	REVISION. A
----------------	-----------------------	---------------	-----------------	----------------

STLYE: ACCESSORIES	PART NO. LR10	PROJECT NO. XX	DATE. 08/03/17
-----------------------	------------------	-------------------	-------------------



MAIN STREET LIGHTING

1080 INDUSTRIAL PKWY.  
MEDINA, OH 44256  
www.mainstreetlighting.com/



SIDE VIEW  
SCALE: N.T.S

1

A	CREATED	JAH	05/18/17
B			
C			
REV:	DESCRIPTION:	BY:	DATE:
AMENDMENTS:			

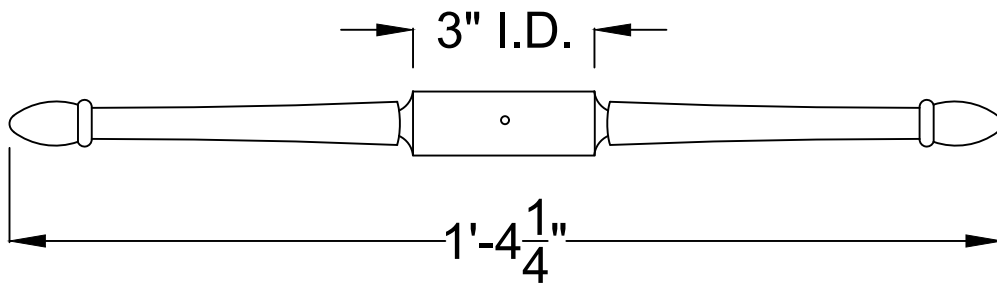
TITLE: LR20	SCALE AT A4.	DRAWN.	CHECKED.	REVISION.
	N.T.S	JAH	XXX	A

STYLE: ACCESSORIES	PART NO.	PROJECT NO.	DATE.
	LR20	XX	08/03/17



MAIN STREET LIGHTING

1080 INDUSTRIAL PKWY.  
MEDINA, OH 44256  
www.mainstreetlighting.com/



- NOTES  
 1. SLIP OVER  
 2. CAST ALUMINUM CONSTRUCTION

SIDE VIEW  
 SCALE: N.T.S

1

A	CREATED	JAH	05/18/17
B			
C			
REV:	DESCRIPTION:	BY:	DATE:
AMENDMENTS:			

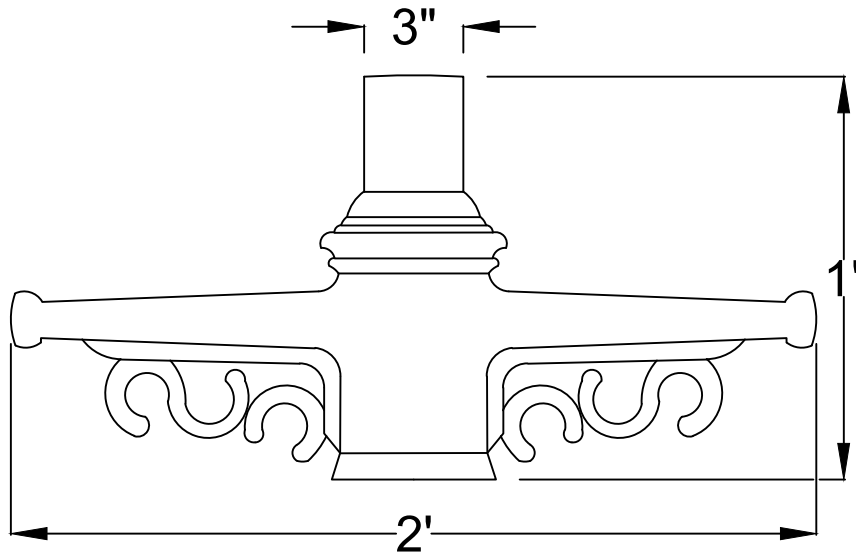
TITLE: LR30	SCALE AT A4. N.T.S	DRAWN. JAH	CHECKED. XXX	REVISION. A
----------------	-----------------------	---------------	-----------------	----------------

STLYE: ACCESSORIES	PART NO. LR30	PROJECT NO. XX	DATE. 08/03/17
-----------------------	------------------	-------------------	-------------------



MAIN STREET LIGHTING

1080 INDUSTRIAL PKWY.  
 MEDINA, OH 44256  
[www.mainstreetlighting.com/](http://www.mainstreetlighting.com/)



NOTES  
 1. CAST ALUMINUM CONSTRUCTION

SIDE VIEW  
 SCALE: N.T.S

1

A	CREATED	JAH	05/18/17
B			
C			
REV:	DESCRIPTION:	BY:	DATE:
AMENDMENTS:			

TITLE: LR40	SCALE AT A4.	DRAWN.	CHECKED.	REVISION.
	N.T.S	JAH	XXX	A

STYLE: ACCESSORIES	PART NO.	PROJECT NO.	DATE.
	LR40	XX	08/03/17



MAIN STREET LIGHTING

1080 INDUSTRIAL PKWY.  
 MEDINA, OH 44256  
[www.mainstreetlighting.com/](http://www.mainstreetlighting.com/)