

SIDE VIEW
SCALE: N.T.S

1

A	CREATED	JAH	05/18/17
B			
C			
REV:	DESCRIPTION:	BY:	DATE:
AMENDMENTS:			

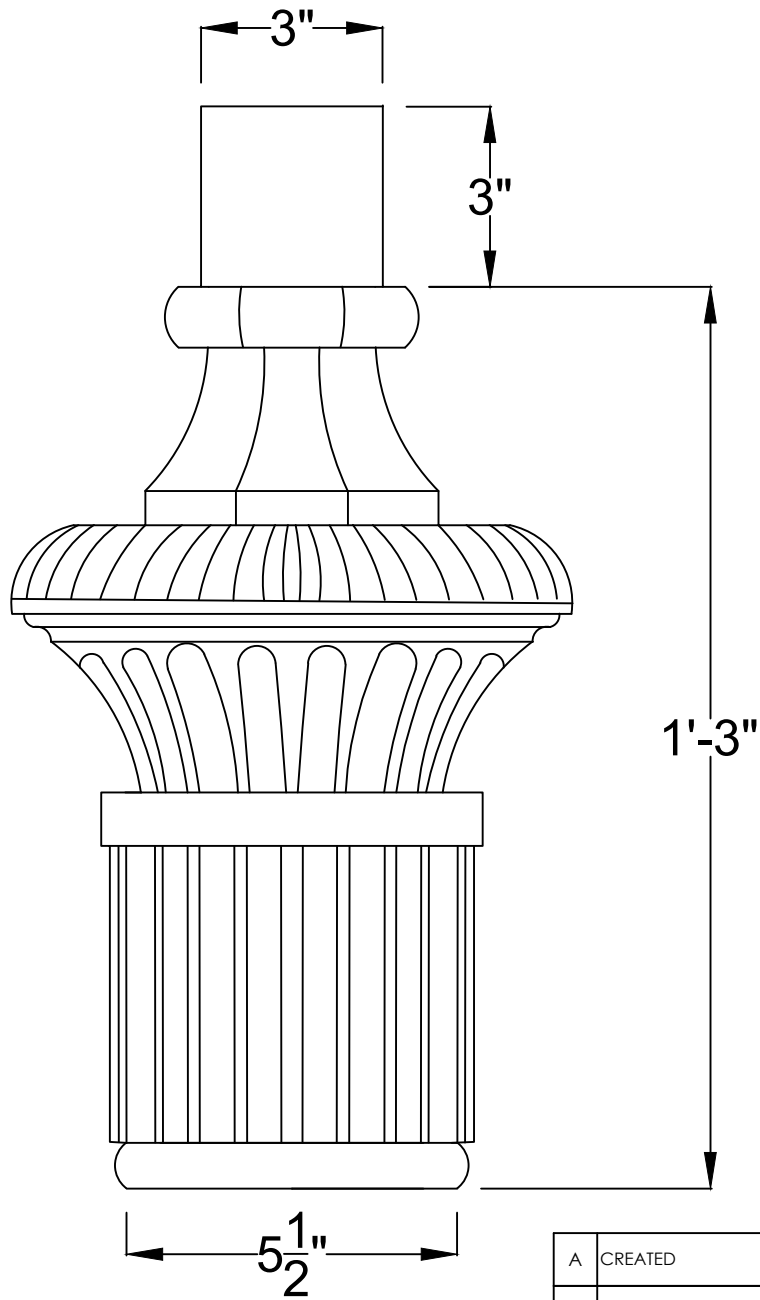
TITLE:	POST-TOP-TENONS	SCALE AT A4.	N.T.S	DRAWN.	JAH	CHECKED.	XXX	REVISION.	A
--------	-----------------	--------------	-------	--------	-----	----------	-----	-----------	---

STLYE:	ACCESSORIES	PART NO.	CL5	PROJECT NO.	XX	DATE.	08/03/17
--------	-------------	----------	-----	-------------	----	-------	----------



MAIN STREET LIGHTING

1080 INDUSTRIAL PKWY.
MEDINA, OH 44256
www.mainstreetlighting.com/



SIDE VIEW
SCALE: N.T.S

1

A	CREATED	JAH	05/18/17
B			
C			
REV:	DESCRIPTION:	BY:	DATE:
AMENDMENTS:			

TITLE: POST-TOP-TENONS	SCALE AT A4.	DRAWN.	CHECKED.	REVISION.
	N.T.S	JAH	XXX	A
STYLE: ACCESSORIES	PART NO.	PROJECT NO.	DATE.	
	CL7	XX	08/03/17	



MAIN STREET LIGHTING

1080 INDUSTRIAL PKWY.
MEDINA, OH 44256
www.mainstreetlighting.com/