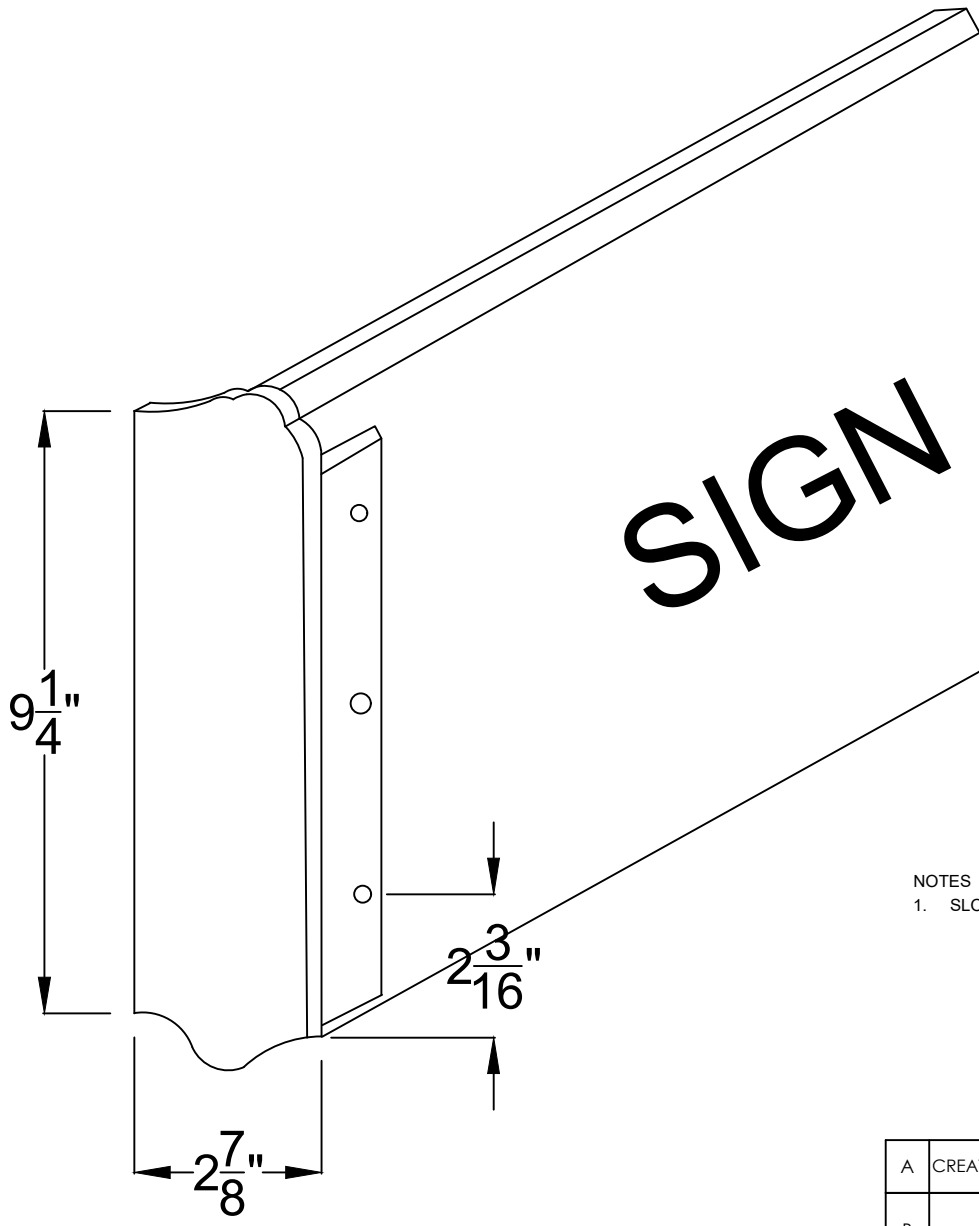


NOTES
 1. SLOT $\frac{17}{64}$ "

SIDE VIEW
 SCALE: N.T.S

A	CREATED	JAH	05/18/17
B			
C			
REV:	DESCRIPTION:	BY:	DATE:
AMENDMENTS:			

TITLE: SING-BRACKET	SCALE AT A4. N.T.S	DRAWN. JAH	CHECKED. XXX	REVISION. A
STLYE: ACCESSORIES	PART NO. SB14	PROJECT NO. XX	DATE. 08/03/17	



NOTES
1. SLOT $\frac{1}{8}$ "

SIDE VIEW
SCALE: N.T.S

A	CREATED	JAH	05/18/17
B			
C			
REV:	DESCRIPTION:	BY:	DATE:
AMENDMENTS:			

TITLE: SIGN-BRACKET	SCALE AT A4. N.T.S	DRAWN. JAH	CHECKED. XXX	REVISION. A
STLYE: ACCESSORIES	PART NO. SB34	PROJECT NO. XX	DATE. 08/03/17	