

NOTES

1. CAST ALUMINUM CONSTRUCTION
2. 3" DIA. LANTERN TENON
3. 14"x7" BACK PLATE

SIDE VIEW
SCALE: N.T.S

1

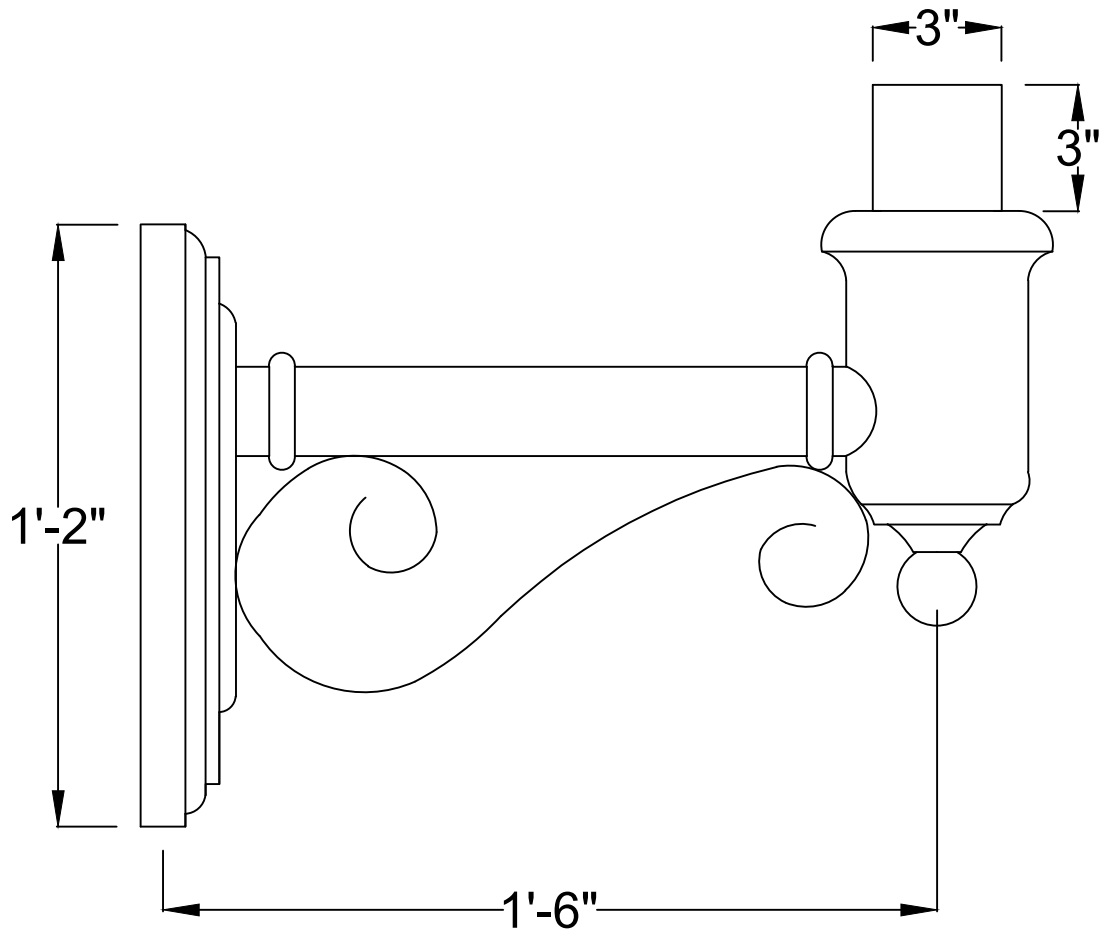
A	CREATED	JAH	05/18/17
B			
C			
REV:	DESCRIPTION:	BY:	DATE:
AMENDMENTS:			

TITLE: WALL-BRACKET	SCALE AT A4. N.T.S	DRAWN. JAH	CHECKED. XXX	REVISION. A
	STLYE: ACCESSORIES	PART NO. WB11	PROJECT NO. XX	DATE. 08/03/17



MAIN STREET LIGHTING

1080 INDUSTRIAL PKWY.
MEDINA, OH 44256
www.mainstreetlighting.com/



- NOTES
1. CAST ALUMINUM CONSTRUCTION
 2. 3" DIA. LANTERN TENON
 3. 14"x7" BACK PLATE

SIDE VIEW
SCALE: N.T.S

1

A	CREATED	JAH	05/18/17
B			
C			
REV:	DESCRIPTION:	BY:	DATE:
AMENDMENTS:			

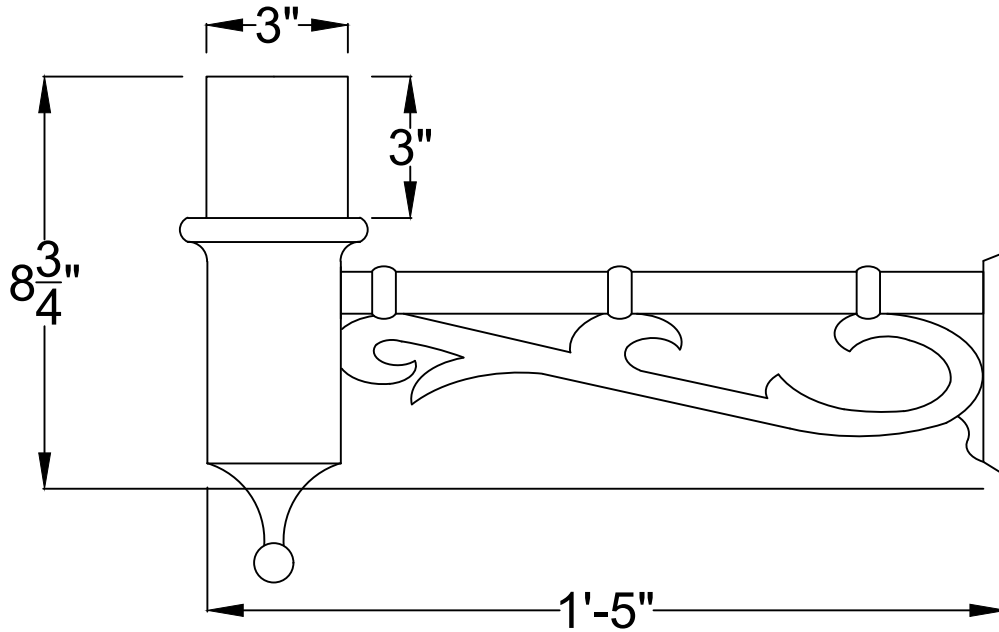
TITLE: WALL-BRACKETS	SCALE AT A4.	DRAWN.	CHECKED.	REVISION.
	N.T.S	JAH	XXX	A

STYLE: ACCESSORIES	PART NO.	PROJECT NO.	DATE.
	WB21	XX	08/03/17



MAIN STREET LIGHTING

1080 INDUSTRIAL PKWY.
MEDINA, OH 44256
www.mainstreetlighting.com/



NOTES

1. CAST ALUMINUM CONSTRUCTION
2. 3" DIA. LANTERN TENON
3. 14"x7" BACK PLATE

SIDE VIEW
SCALE: N.T.S

1

A	CREATED	JAH	05/18/17
B			
C			
REV:	DESCRIPTION:	BY:	DATE:
AMENDMENTS:			

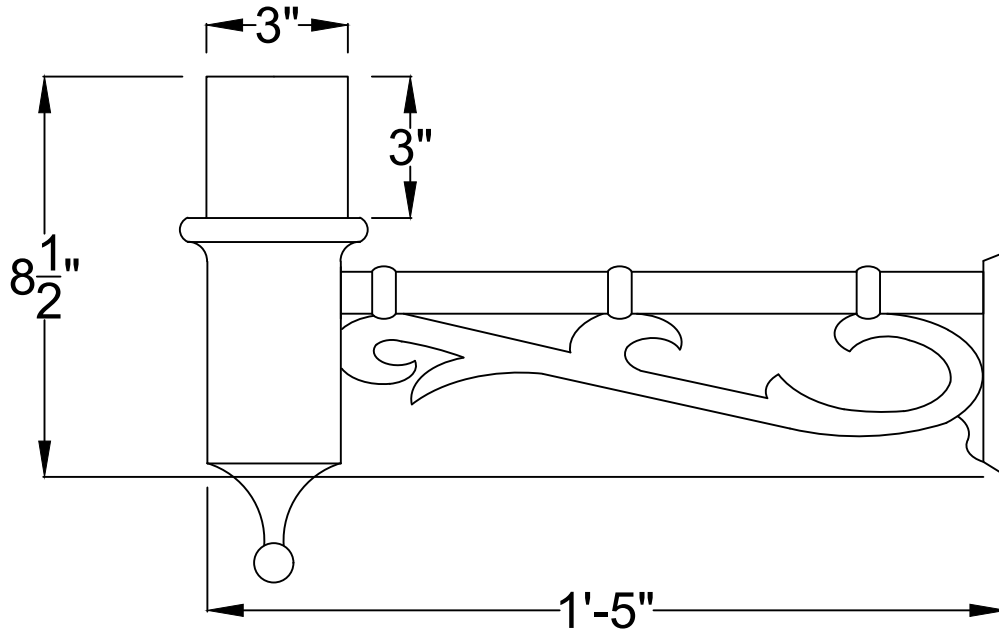
TITLE: WALL-BRACKETS	SCALE AT A4.	DRAWN.	CHECKED.	REVISION.
	N.T.S	JAH	XXX	A

STLYE: ACCESSORIES	PART NO.	PROJECT NO.	DATE.
	WB31	XX	08/03/17



MAIN STREET LIGHTING

1080 INDUSTRIAL PKWY.
MEDINA, OH 44256
www.mainstreetlighting.com/



- NOTES
1. CAST ALUMINUM CONSTRUCTION
 2. 3" DIA. LANTERN TENON
 3. 14"x7" BACK PLATE

SIDE VIEW
SCALE: N.T.S

1

A	CREATED	JAH	05/18/17
B			
C			
REV:	DESCRIPTION:	BY:	DATE:
AMENDMENTS:			

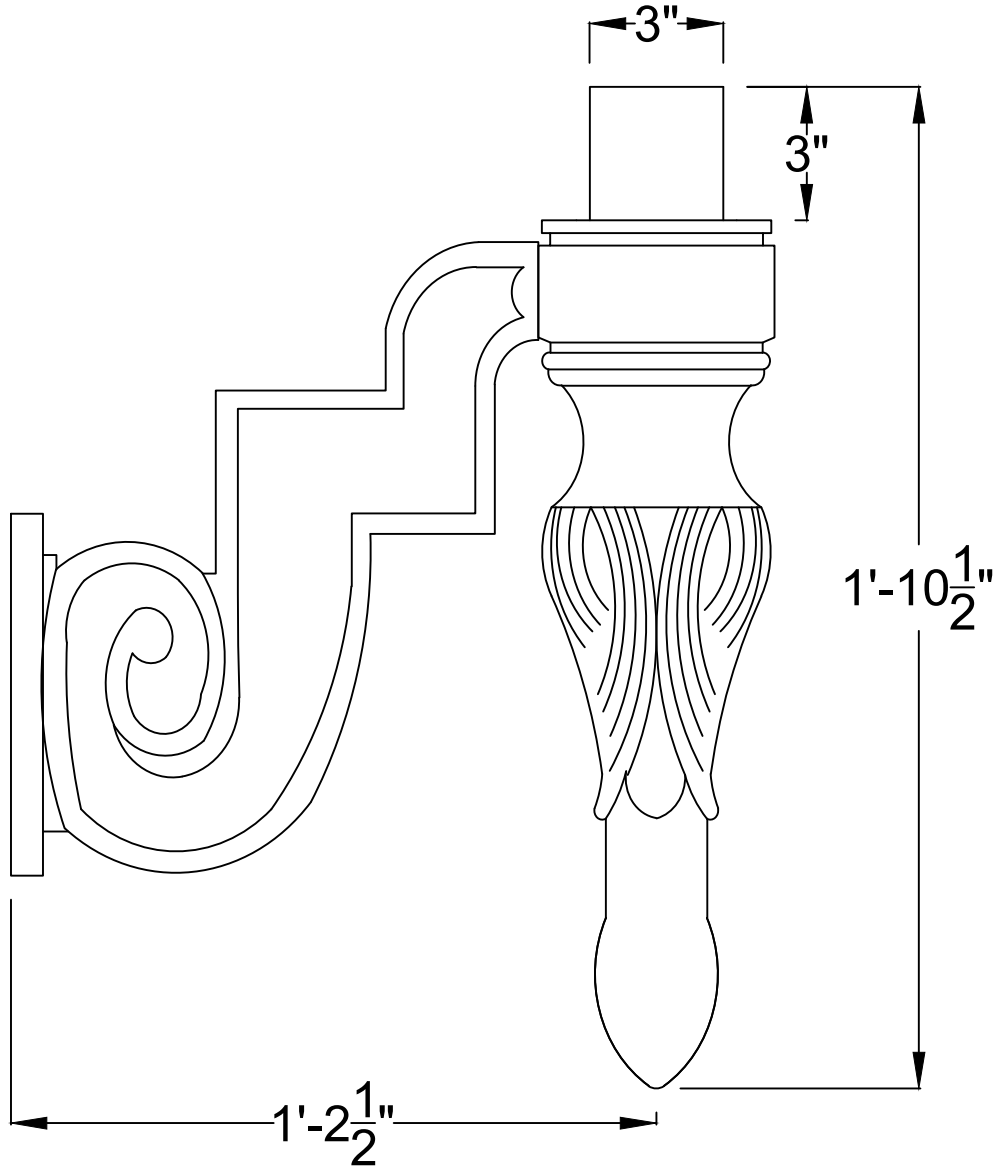
TITLE: WALL-BRACKETS	SCALE AT A4.	DRAWN.	CHECKED.	REVISION.
	N.T.S	JAH	XXX	A

STLYE: ACCESSORIES	PART NO.	PROJECT NO.	DATE.
	WB31	XX	08/03/17



MAIN STREET LIGHTING

1080 INDUSTRIAL PKWY.
MEDINA, OH 44256
www.mainstreetlighting.com/



SIDE VIEW
SCALE: N.T.S

1

A	CREATED	JAH	05/18/17
B			
C			
REV:	DESCRIPTION:	BY:	DATE:
AMENDMENTS:			

TITLE: WALL-BRACKETS	SCALE AT A4.	DRAWN.	CHECKED.	REVISION.
	N.T.S	JAH	XXX	A
STYLE: ACCESSORIES	PART NO.	PROJECT NO.	DATE.	
	WB92	XX	08/03/17	